

Return Completed Form to:

John Lovell - Business Development Manager
 Tel: 613 9771 4900
 Fax: 613 9771 4949
 Email: John@UNeek.com.au



SITE SPECIFIC CIRCULAR HEADFRAME CERTIFICATION

Complete all applicable details and place an X on the appropriate boxes

Company: _____
 Contact: _____ Tel. _____ Fax _____
 Address: _____
 Purchase Order No.(if applicable): _____

INFORMATION REQUIREMENTS FOR DESIGN ASSESSMENT:

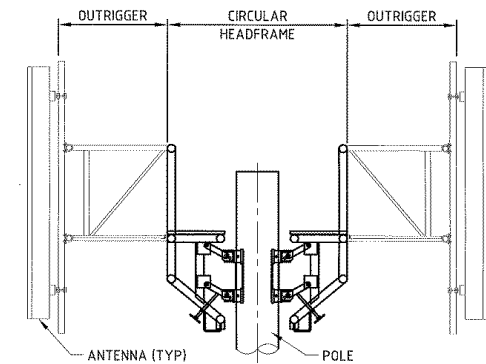
Site Location: Site Name / I.D. : _____
 Address: _____
 Co-ordinates: Latitude: _____
 Longitude: _____

Pole Details: Height: _____ m
 Status: Existing New
 Type: Concrete Steel
 Height to centre of Circular Headframe: _____ m
 Pole Dia. at attachment level: _____ mm

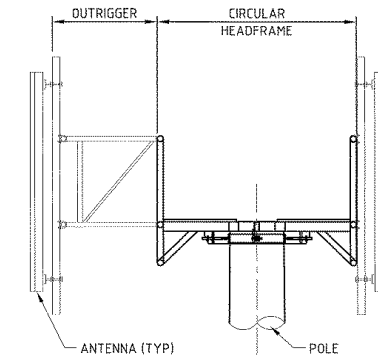
Circular Headframe Details: Status: Existing New
 Model: Standard Duty Heavy Duty Pole Top
 Fastening Method: Clamped to pole: Split Headframe: Yes
 Bolted to Pole Top: (i.e. supplied in 2 halves for installing below existing headframes on the pole) No
Headframe Outrigger Arms: Status: Existing New

Quantity: _____ Outrigger Bearings relative to True North: _____

TYPICAL HEADFRAME CROSS-SECTIONS

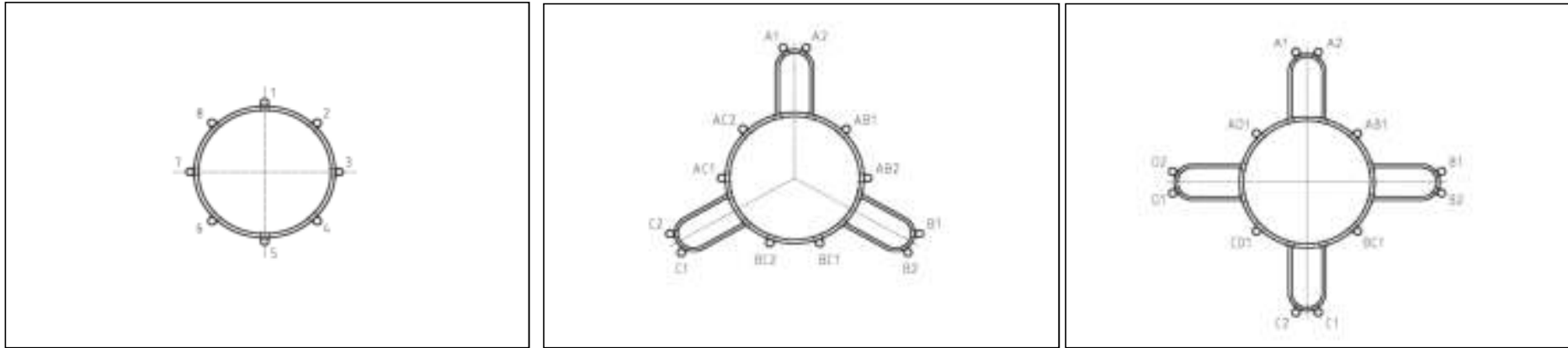


HEADFRAME CLAMPED TO POLE

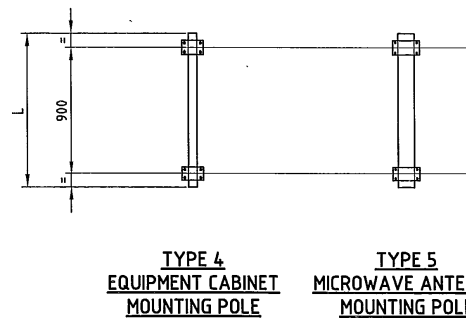
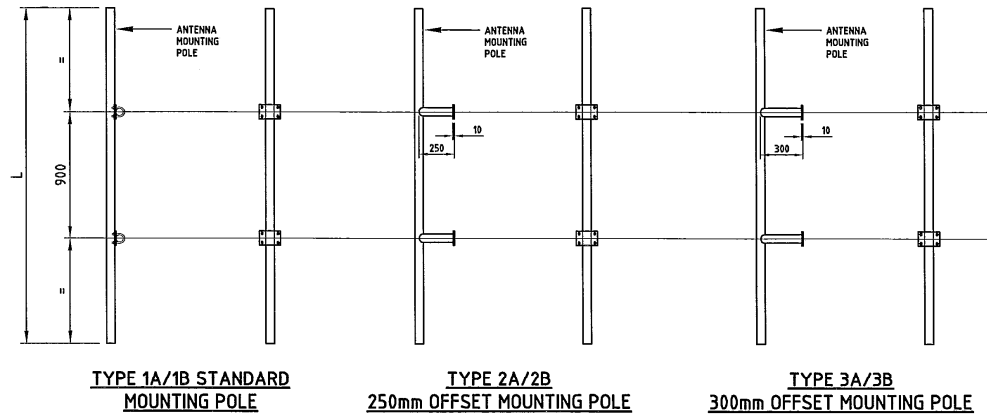


HEADFRAME BOLTED TO POLE TOP

TYPICAL OUTRIGGER CONFIGURATIONS WITH TYPICAL ANTENNA MOUNTING POLE LOCATIONS

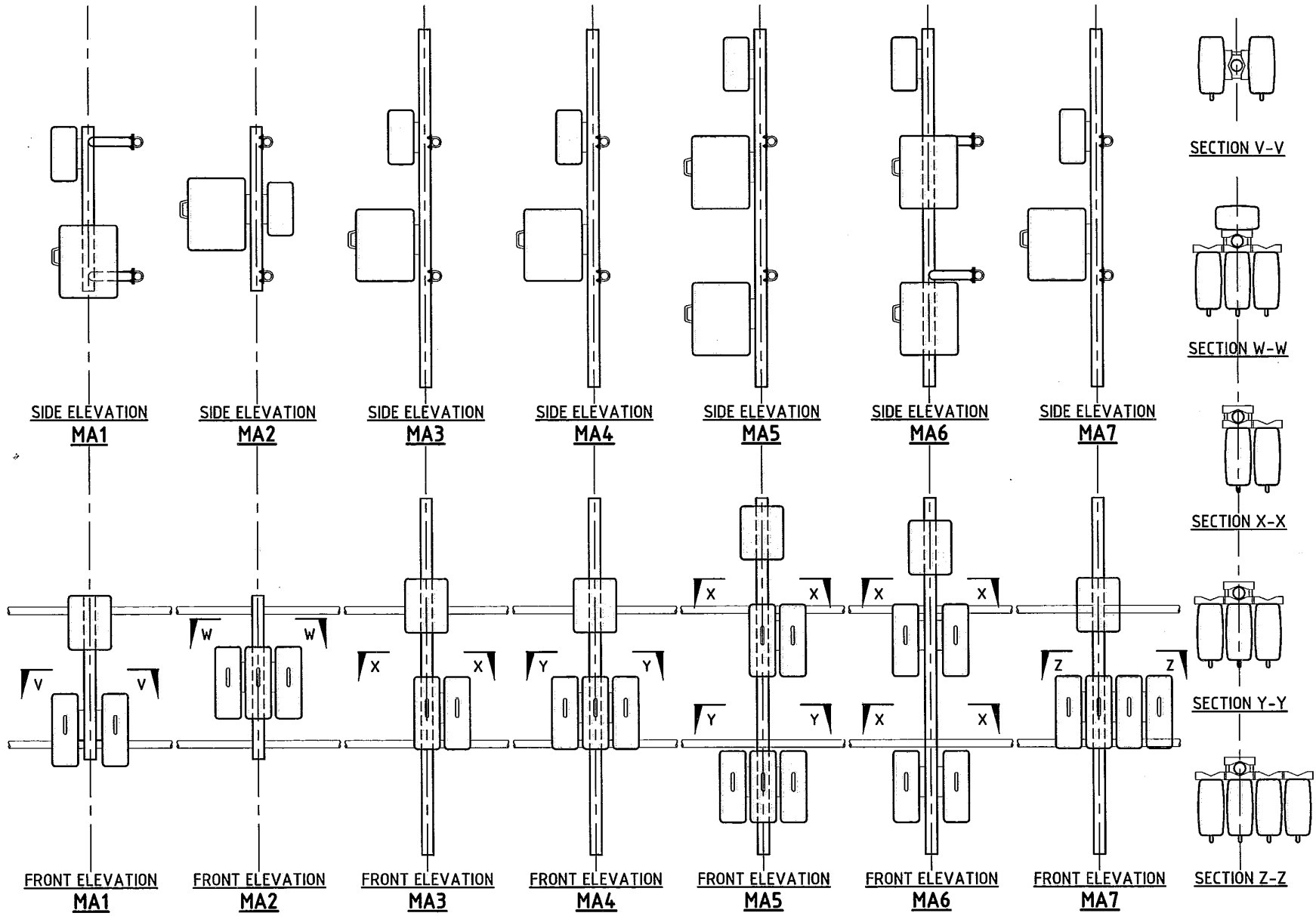


ANTENNA MOUNTING POLES



ANTENNA MOUNTING POLE SCHEDULE			
POLE TYPE	MEMBER	OFFSET	LENGTH (L)
1A	60.3 x 3.6 CHS	-	2.1m, 2.4m, 2.7m, 3.0m
1B	76.1 x 3.6 CHS	-	2.1m, 2.4m, 2.7m, 3.0m
2A	60.3 x 3.6 CHS	250mm	2.1m, 2.4m, 2.7m, 3.0m
2B	76.1 x 3.6 CHS	250mm	2.1m, 2.4m, 2.7m, 3.0m
3A	60.3 x 3.6 CHS	300mm	2.1m, 2.4m, 2.7m, 3.0m
3B	76.1 x 3.6 CHS	300mm	2.1m, 2.4m, 2.7m, 3.0m
4	60.3 x 3.6 CHS	-	1.1m
5	114.3 x 3.6 CHS	-	1.1m, 2.0m

ANCILLARY EQUIPMENT MOUNTING ARRANGEMENT



EQUIPMENT SUPPORTED BY CIRCULAR HEADFRAME

* - Minimum information required

ANTENNAS

Panel Antennas											
* Manufacturer	* Model No.	Weight (kg)	L (mm)	W (mm)	D (mm)	* Centreline Height (m)	* Quantity	* Location on Headframe	* Bearings relative to True North	* Mounting Pole Type	
Tongyu	TQB-D609017	72	2680	620	160	20.45	6	A1, A2, B1, B2, C1, C2	30/120/241	3B	
Total Panel Antennas							6				

Other Antennas										
* Manufacturer	* Model No.	Weight (kg)	L (mm)	W (mm)	D (mm)	* Centreline Height (m)	* Quantity	* Location on Headframe	* Bearings relative to True North	* Mounting Pole Type
Andrew - 300mm dia dish		72	n/a	n/a	n/a	20.45	6	A1, A2, B1, B2, C1, C2	30/120/241	5

ANCILLARY EQUIPMENT

RRU (Remote Radio Units)													
* Manufacturer	* Model No.	Weight (kg)	L (mm)	W (mm)	D (mm)	* Centreline Height (m)	* Quantity	* Location on Headframe	* Bearings relative to True North	* Mounting Pole Type	Mounting Arrangement		
											* Quantity per Mounting Pole	* Mounting clusters	* Configuration
Huawei RRU	RRU3908		485	380	170	20.45	9	AB-1, BC-1, AC-1		1A	3	1 x 3	MA4
NSN RRU		40	570	300	200	20.45	12	AB-2, BC-2, AC-2		3B	4	2 x 2	MA5
Total RRU's							21						

Fibre Junction Boxes													
* Manufacturer	* Model No.	Weight (kg)	L (mm)	W (mm)	D (mm)	* Centreline Height (m)	* Quantity	* Location on Headframe	* Bearings relative to True North	* Mounting Pole Type	Mounting Arrangement		
											* Quantity per Mounting Pole	* Mounting clusters	Comments
LS Cables	LSGS-13-CX0016-01	6	360	282	167	21.5	9	AB-1, BC-1, AC-1, AB-2, BC-2, AC-2		1A, 3B	1		Above RRU's on same pole

MHA's (Mast Head Amplifiers)														
* Manufacturer	* Model No.	Weight (kg)	L (mm)	W (mm)	D (mm)	* Centreline Height (m)	* Quantity	* Location on Headframe	* Bearings relative to True North	* Mounting Pole Type	Mounting Arrangement			
											* Quantity per Mounting Pole	Comments		
Commscope	MHA1: E15S07P27	10	320	230	150	20.45	3	A1, B1, C1		3B	3		Behind Panel Antennas	
Commscope	MHA1: E15S07P27	10	320	230	150	20.45	3	A2, B2, C2		3B	1		Behind Panel Antennas	
							Total MHA	6						

Combiners													
* Manufacturer	* Model No.	Weight (kg)	L (mm)	W (mm)	D (mm)	* Centreline Height (m)	* Quantity	* Location on Headframe	* Bearings relative to True North	* Mounting Pole Type	Mounting Arrangement		
											* Quantity per Mounting Pole	Comments	
Commscope		9	260	210	120	20.45	6	A1, A2, B1, B2, C1, C2		3B	1		Behind Panel Antennas

Feeder Cables				
Manufacturer	Cat. No.	Weight (kg)	Approximate Total Length	% shielded from wind by headframe structure and mounting poles