

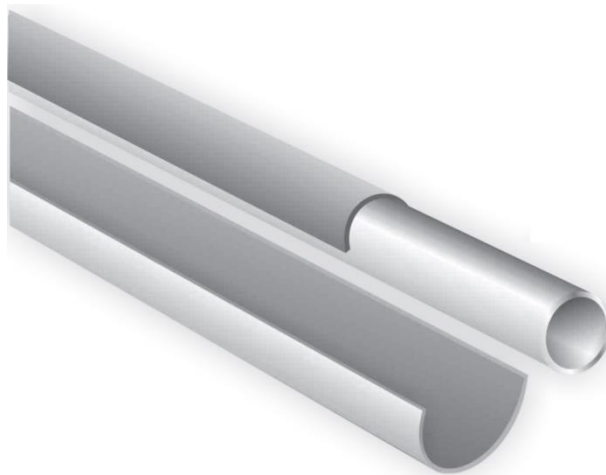
# U-Neek protection against tube erosion

U-Neek Bending offer protection shields to suit almost any situation where tubes are in danger of damage from erosion due to ash content, furnace temperature and increased soot blower pressure.

The simple and cost effective application of these U-Neek shields will add years to tube life without the high cost of replacement and boiler downtime losses.

**Shields are custom made to fit perfectly to straight sections, curved sections and even finned and specialised tubing.**

Shields can cover 180° to 220° tube sections.



U-Neek Boiler Erosion Shields can be formed in a variety of metals to suit the application including: Mild Steel, Stainless Steel, Chrome Moly Steel and a range of alloys.

Metal fastening clips can also be supplied to weld the shield into place.

*Contact U-Neek today for further information, advice and fast delivery.*



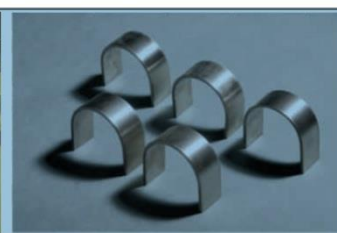
INSIDE AND OUTSIDE CURVES



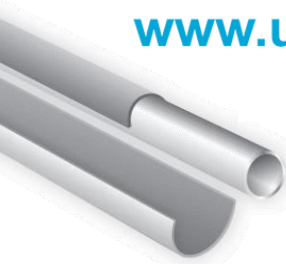
STRAIGHTS AND BENDS



CUSTOM SHIELDS

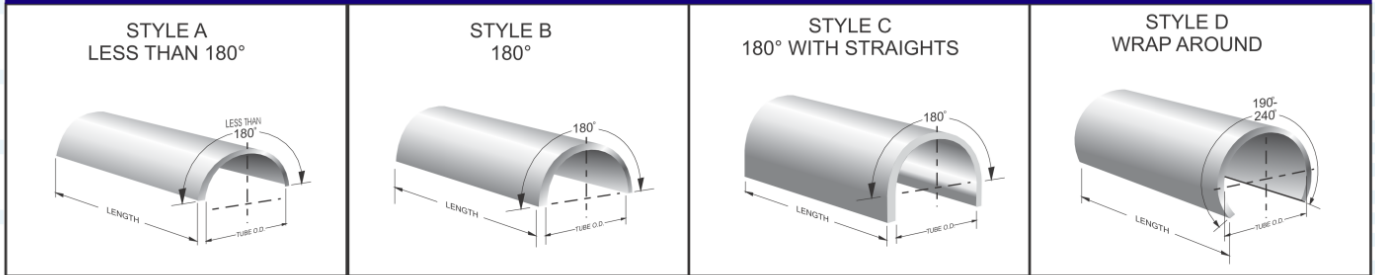


FASTENING CLIPS

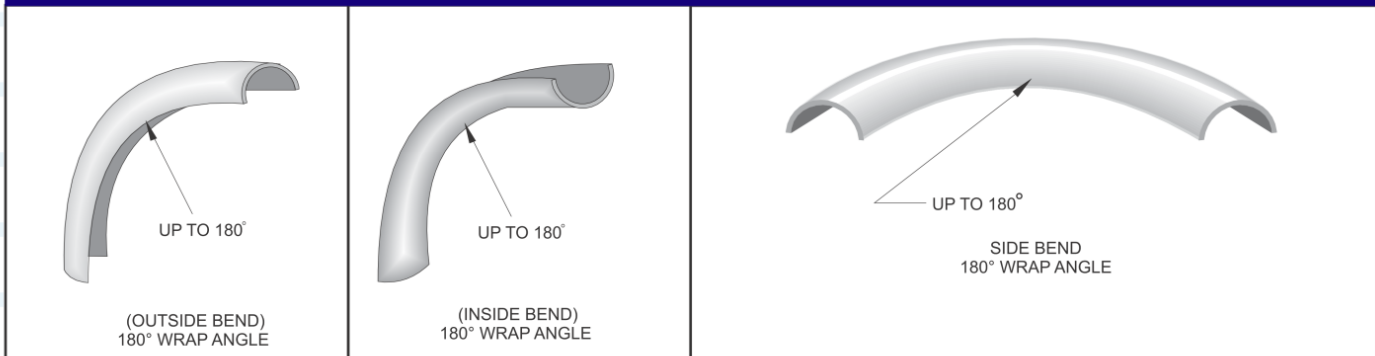


# BOILER EROSION SHIELDS

## STRAIGHT SHIELDS



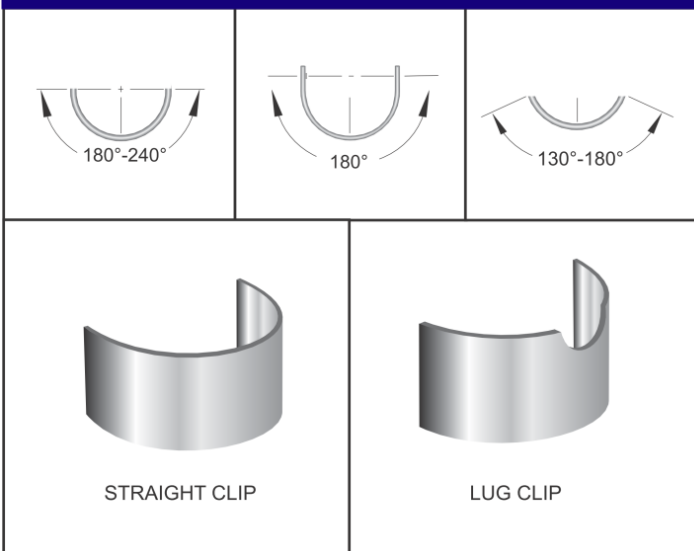
## BENT SHIELDS



## FINNED SHIELDS



## CLIPS



### MATERIALS:

Stainless Steel: 316 / 304 / 253 MA (310L)  
Mild Steel: Chrome Moly